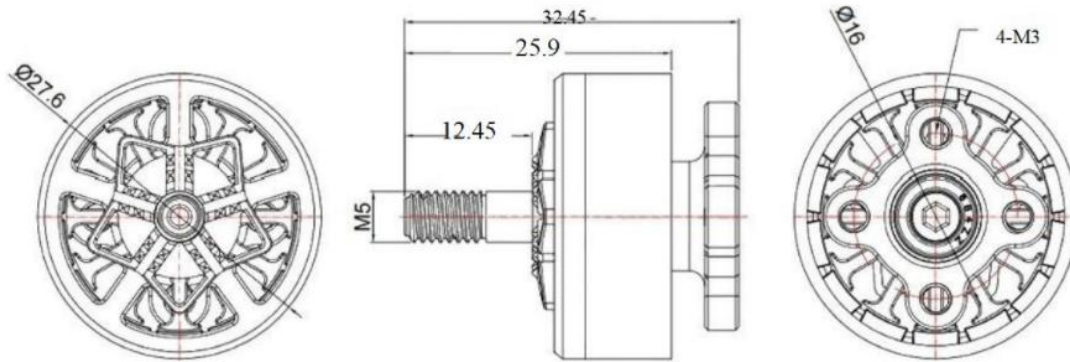


2207-1950KV

HIGH-PERFORMANCE BRUSHLESS MOTOR

Application: 5-Inch FPV Long Range

ENGINEERING DRAWING OVERVIEW



Specification	Value
Stator Diameter	Ø22.0 mm
Total Height	30.5 mm
Shaft Thread	M5
Mounting Pattern	16×16 mm (4-M3)

BASIC PARAMETERS

Parameter	Value
KV Value	1950
Configuration (Slots/Poles)	12N14P
Shaft Diameter	5 mm
Silicone Wire	20#
Motor Weight (including cable)	37.6 g
Phase Terminal Resistance (including cable)	62.45 mΩ
Working Voltage	6S (Lipo)

Parameter	Value
No-Load Current (10V)	1.2 A
Maximum Power	1093.0 W
Maximum Current	46.36 A

2

PERFORMANCE TEST DATA (6S VOLTAGE)

Propeller: 5052 3-Blade

Throttle (%)	Voltage (V)	Current (A)	Speed (RPM)	Thrust (gf)	Power (W)	Efficiency (gf/W)
30%	25.19	2.50	12666	251.07	63.0	3.97
40%	25.10	5.35	16744	466.34	134.3	3.47
50%	24.97	9.39	20126	704.16	234.3	3.00
60%	24.77	15.20	23319	973.46	376.5	2.59
70%	24.52	22.49	25922	1234.75	551.4	2.24
80%	24.24	30.18	28232	1522.07	731.6	2.08
90%	23.89	39.24	29954	1753.73	937.4	1.87
100%	23.63	44.76	30636	1850.15	1057.7	1.75

Propeller: GEMFAN51466 3-Blade

Throttle (%)	Voltage (V)	Current (A)	Speed (RPM)	Thrust (gf)	Power (W)	Efficiency (gf/W)
30%	25.19	2.69	12554	273.64	67.9	4.03
40%	25.10	5.62	16540	499.97	141.1	3.54
50%	24.96	9.78	19910	749.93	244.1	3.07
60%	24.77	15.66	23056	1035.26	387.9	2.67
70%	24.52	22.91	25690	1309.98	561.8	2.33

Throttle (%)	Voltage (V)	Current (A)	Speed (RPM)	Thrust (gf)	Power (W)	Efficiency (gf/W)
80%	24.24	30.61	27943	1561.74	742.1	2.10
90%	23.92	39.11	29829	1724.67	935.4	1.84
100%	23.66	44.66	30559	1785.58	1056.7	1.69

Propeller: HQ 5×4×3 3-Blade

Throttle (%)	Voltage (V)	Current (A)	Speed (RPM)	Thrust (gf)	Power (W)	Efficiency (gf/W)
30%	25.17	2.99	12357	291.13	75.3	3.87
40%	25.07	6.19	16115	505.29	155.1	3.26
50%	24.92	10.79	19382	744.74	268.9	2.77
60%	24.70	17.36	22355	1027.99	428.8	2.40
70%	24.45	24.67	24808	1289.63	603.3	2.14
80%	24.16	32.48	26832	1520.52	784.7	1.94
90%	23.83	41.27	28369	1706.16	983.4	1.73
100%	23.58	46.36	28913	1776.00	1093.3	1.62

* Technical specifications are based on manufacturer's lab environment testing. Actual performance may vary.