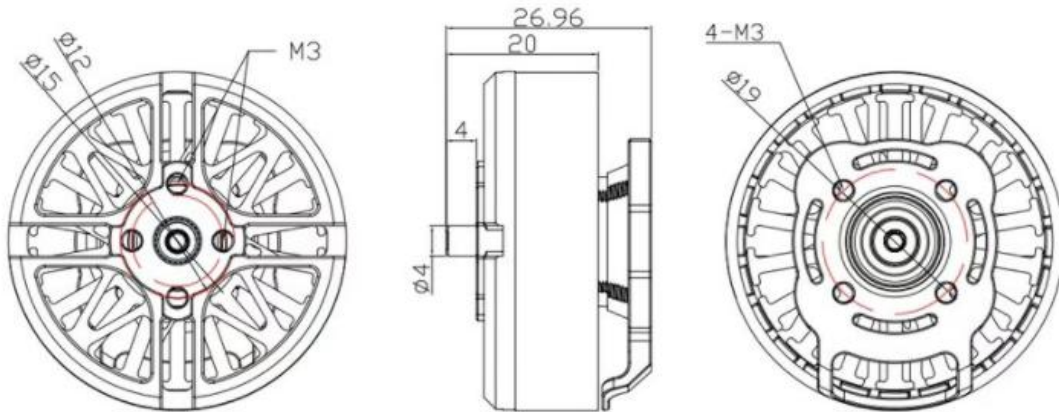


# 4008-350KV

## HIGH-PERFORMANCE BRUSHLESS MOTOR

*Application: 16Inch FPV Long Range*

### ENGINEERING DRAWING OVERVIEW



Specification	Value
Stator Diameter	Ø15 mm
Total Height	26.96 mm
Shaft Thread	M3
Mounting Pattern	19×19 mm (4-M3)

### BASIC PARAMETERS

Parameter	Value
KV Value	350
Configuration (Slots/Poles)	24N18P
Shaft Diameter	4 mm
Silicone Wire	16#
Motor Weight (including cable)	114.5 g
Phase Terminal Resistance (including cable)	131.5 mΩ

Parameter	Value
Working Voltage	6S (Lipo)
No-Load Current (10V)	0.56 A
Maximum Power	560.15 W
Maximum Current	5.31 A

2

## **PERFORMANCE TEST DATA (6S VOLTAGE)**

### **Propeller: 16-inch Folding Propeller (Carbon Fiber / Nylon)**

Throttle (%)	Voltage (V)	Current (A)	Speed (RPM)	Thrust (gf)	Power (W)	Efficiency (gf/W)
20	24.10	0.50	1432.1	180.52	12.03	15.01
25	24.09	0.85	1767.5	293.77	20.40	14.40
30	24.08	1.33	2074.5	432.22	32.12	13.46
35	24.07	1.86	2338.1	549.17	44.70	12.29
40	24.07	2.43	2573.7	664.02	58.49	11.35
45	24.05	3.27	2855.5	810.92	78.74	10.30
50	24.04	4.61	3195.3	1064.16	110.82	9.60
55	24.02	5.917	3465.4	1258.35	142.13	8.85
60	23.99	7.26	3722.0	1450.37	174.22	8.33
65	23.96	8.70	3957.4	1604.61	208.40	7.70
70	23.93	10.41	4178.9	1801.81	248.99	7.24
75	23.90	12.02	4390.2	1978.17	287.18	6.89
80	23.86	13.98	4594.0	2180.09	333.61	6.53
85	23.81	16.10	4770.5	2374.12	383.41	6.19
90	23.76	18.29	4978.6	2563.15	434.48	5.90

---

<b>Throttle (%)</b>	<b>Voltage (V)</b>	<b>Current (A)</b>	<b>Speed (RPM)</b>	<b>Thrust (gf)</b>	<b>Power (W)</b>	<b>Efficiency (gf/W)</b>
95	23.71	20.60	5132.3	2757.47	488.40	5.65
<b>100</b>	<b>23.66</b>	<b>23.68</b>	<b>5333.6</b>	<b>2973.71</b>	<b>560.15</b>	<b>5.31</b>

---

\* Technical specifications are based on manufacturer's lab environment testing. Actual performance may vary.