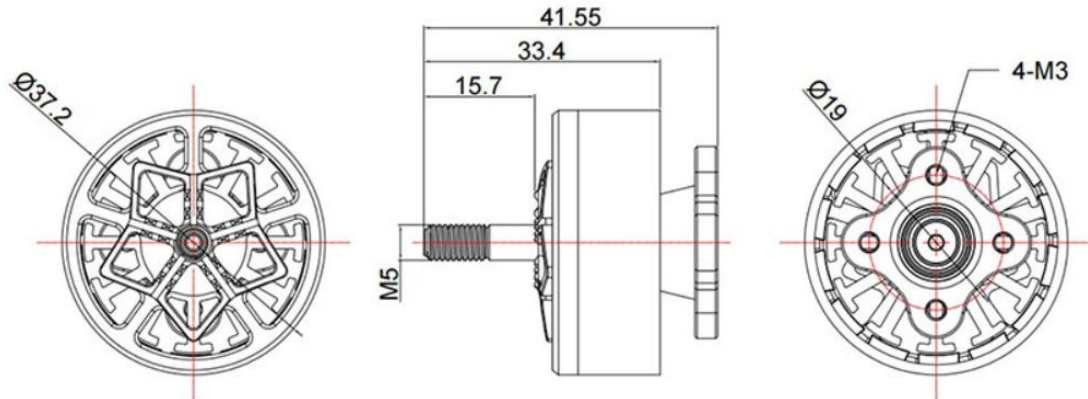


# 3110-900KV

## HIGH-PERFORMANCE BRUSHLESS MOTOR

*Application: 9-10Inch FPV Long Range*

### ENGINEERING DRAWING OVERVIEW



Specification	Value
Stator Diameter	Ø31.0 mm
Total Height	41.55 mm
Shaft Thread	M5
Mounting Pattern	16×16 mm (4-M3)

### BASIC PARAMETERS

Parameter	Value
KV Value	900
Configuration (Slots/Poles)	12N14P
Shaft Diameter	5 mm
Silicone Wire	18#
Motor Weight (including cable)	83.5 g
Phase Terminal Resistance (including cable)	64 mΩ

Parameter	Value
Working Voltage	6S (Lipo)
No-Load Current (10V)	1 A
Maximum Power	1296.87 W
Maximum Current	54.18 A

2

## **PERFORMANCE TEST DATA (6S VOLTAGE)**

### **Propeller: 10×5×3 3-Blade**

Throttle (%)	Voltage (V)	Current (A)	Speed (RPM)	Thrust (gf)	Power (W)	Efficiency (gf/W)
40%	24.98	5.89	7218	955.46	147.21	6.49
50%	24.86	11.22	8758	1546.31	278.89	5.54
60%	24.76	16.70	10069	2010.32	413.60	4.86
70%	24.61	23.91	10949	2538.00	588.31	4.31
80%	24.40	32.75	11862	3053.90	799.12	3.82
<b>100%</b>	<b>23.94</b>	<b>54.18</b>	<b>13194</b>	<b>3728.01</b>	<b>1296.87</b>	<b>2.87</b>

### **Propeller: GEMFAN9045 3-Blade (9inch)**

Throttle (%)	Voltage (V)	Current (A)	Speed (RPM)	Thrust (gf)	Power (W)	Efficiency (gf/W)
40%	24.25	5.72	7008	771.72	138.70	5.56
50%	24.14	10.89	8503	1248.94	262.90	4.75
60%	24.04	16.22	9803	1674.00	389.90	4.29
70%	23.89	23.21	10631	2034.93	554.40	3.67
80%	23.69	31.80	11516	2466.61	753.20	3.27
90%	23.46	42.00	12326	2787.05	985.20	2.83

<b>Throttle (%)</b>	<b>Voltage (V)</b>	<b>Current (A)</b>	<b>Speed (RPM)</b>	<b>Thrust (gf)</b>	<b>Power (W)</b>	<b>Efficiency (gf/W)</b>
<b>100%</b>	<b>23.24</b>	<b>52.60</b>	<b>12810</b>	<b>3011.09</b>	<b>1222.30</b>	<b>2.46</b>

### **Propeller: HQ 10×5×3 3-Blade**

<b>Throttle (%)</b>	<b>Voltage (V)</b>	<b>Current (A)</b>	<b>Speed (RPM)</b>	<b>Thrust (gf)</b>	<b>Power (W)</b>	<b>Efficiency (gf/W)</b>
40%	24.74	5.84	7148	918.71	144.36	6.36
50%	24.62	11.11	8673	1486.84	273.51	5.44
60%	24.52	16.54	9828	1933.00	405.61	4.77
70%	24.37	23.68	10843	2440.39	576.94	4.23
80%	24.16	32.43	11747	2936.44	783.68	3.75
90%	23.93	42.84	12572	3317.91	1025.03	3.24
<b>100%</b>	<b>23.70</b>	<b>53.65</b>	<b>13066</b>	<b>3584.63</b>	<b>1271.81</b>	<b>2.82</b>

\* Technical specifications are based on manufacturer's lab environment testing. Actual performance may vary.