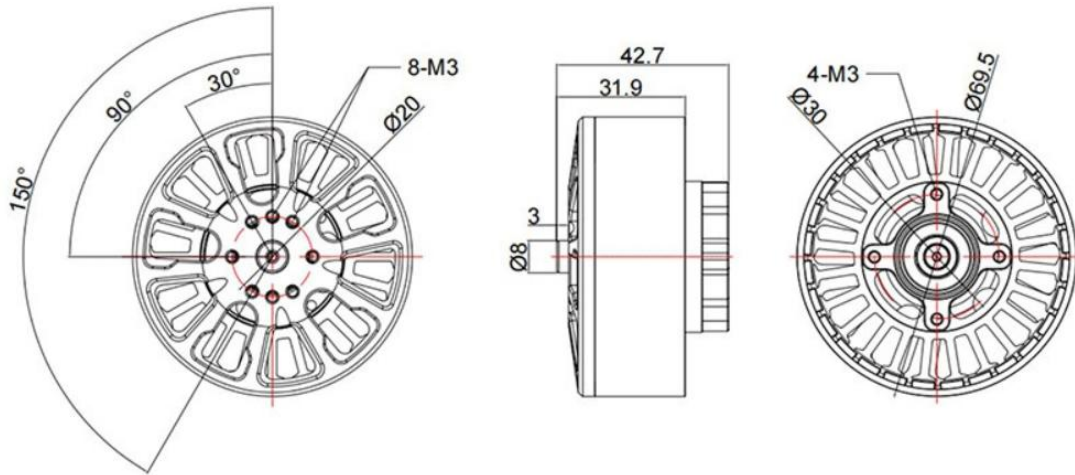


# 6218-200KV

## HIGH-PERFORMANCE BRUSHLESS MOTOR

*Application: 19-20Inch FPV Long Range*

### ENGINEERING DRAWING OVERVIEW



Specification	Value
Stator Diameter	Ø69.5 mm
Total Height	42.7 mm
Shaft Thread	M6
Mounting Pattern	30×30 mm (4-M3)

### BASIC PARAMETERS

Parameter	Value
KV Value	200
Configuration (Slots/Poles)	24N28P
Shaft Diameter	8 mm
Silicone Wire	16#
Motor Weight (including cable)	404 g

Parameter	Value
Phase Terminal Resistance (including cable)	48 mΩ
Working Voltage	12S (Lipo)
No-Load Current (10V)	1.6 A
Maximum Power	3579.3 W
Maximum Current	76.98 A

2

## **PERFORMANCE TEST DATA (12S VOLTAGE)**

### **Propeller: 19-inch 4-Blade Folding Propeller**

<b>Throttle (%)</b>	<b>Voltage (V)</b>	<b>Current (A)</b>	<b>Speed (RPM)</b>	<b>Thrust (gf)</b>	<b>Power (W)</b>	<b>Efficiency (gf/W)</b>
10	48.02	1.91	700	4.79	91.9	0.07
20	48.02	1.58	1718	788.58	75.7	10.43
30	47.96	4.43	2517	1782.70	212.5	8.39
40	47.87	9.44	3307	3194.69	452.0	7.07
50	47.74	17.32	4061	4951.94	826.6	5.99
60	47.54	26.37	4655	6580.96	1253.4	5.25
70	47.32	37.66	5238	8338.20	1781.8	4.68
80	47.06	50.71	5821	10129.03	2386.3	4.25
90	46.72	66.56	6373	11904.67	3109.5	3.83
<b>100</b>	<b>46.49</b>	<b>76.98</b>	<b>6647</b>	<b>12930.03</b>	<b>3579.3</b>	<b>3.61</b>

\* Technical specifications are based on manufacturer's lab environment testing. Actual performance may vary.