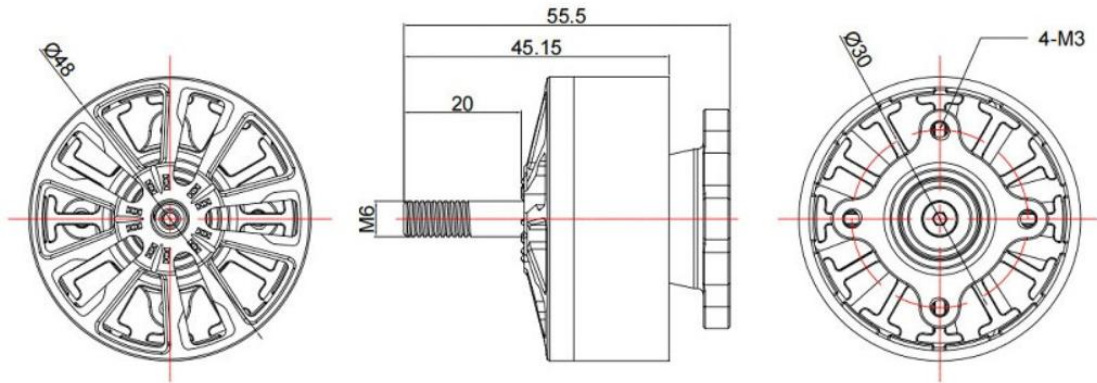


4214-500KV

HIGH-PERFORMANCE BRUSHLESS MOTOR

Application: 13Inch FPV Long Range

ENGINEERING DRAWING OVERVIEW



Specification	Value
Stator Diameter	Ø48 mm
Total Height	55.5 mm
Shaft Thread	M3
Mounting Pattern	20×20 mm (4-M3)

BASIC PARAMETERS

Parameter	Value
KV Value	500
Configuration (Slots/Poles)	12N14P
Shaft Diameter	6 mm
Silicone Wire	16#
Motor Weight (including cable)	185 g
Phase Terminal Resistance (including cable)	50.4 mΩ
Working Voltage	8S (Lipo)

Parameter	Value
No-Load Current (10V)	1.3 A
Maximum Power	1473.2 W
Maximum Current	46.15 A

2

PERFORMANCE TEST DATA (8S VOLTAGE)

Propeller: 13×7.5×3 3-Blade

Throttle (%)	Voltage (V)	Current (A)	Speed (RPM)	Thrust (gf)	Power (W)	Efficiency (gf/W)
10	33.63	0.32	1628	66.61	10.80	6.17
20	33.60	1.08	2967	305.50	36.29	8.42
30	33.54	2.58	4145	639.00	86.60	7.38
40	33.43	5.19	5295	1134.07	173.33	6.54
50	33.10	8.96	6336	1727.47	298.47	5.79
60	33.30	13.81	7280	2370.00	456.95	5.17
70	32.86	20.31	8202	3094.87	667.52	4.64
80	32.58	27.72	9007	3857.83	903.02	4.27
90	32.26	36.35	9727	4595.73	1172.75	3.92
100	31.92	46.15	10375	5318.42	1473.20	3.61

* Technical specifications are based on manufacturer's lab environment testing. Actual performance may vary.