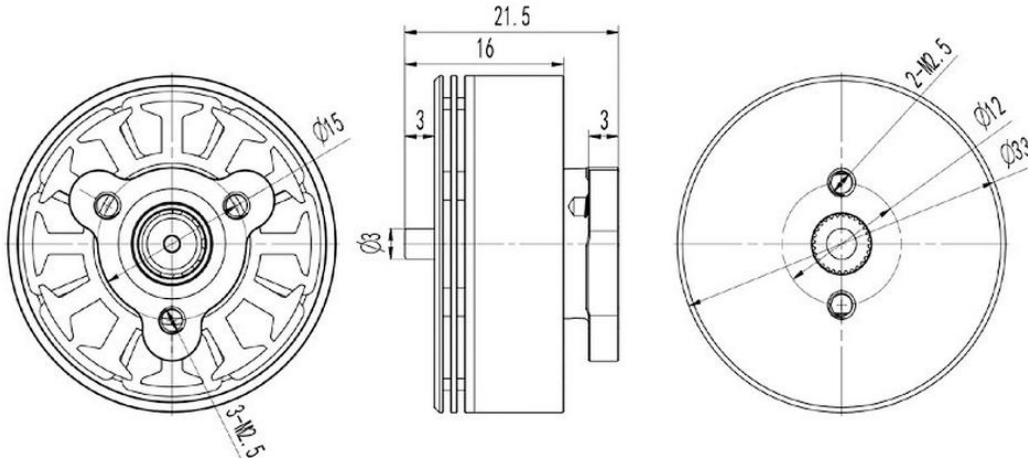


# 2807-800KV

## HIGH-PERFORMANCE BRUSHLESS MOTOR

*Application: 11-Inch Aerial Photography*

### ENGINEERING DRAWING OVERVIEW



Specification	Value
Outer Diameter	Ø33 mm
Total Height	21.5 mm
Shaft Diameter	3 mm
Mounting Pattern	Ø15 mm (3×M2.5)

### BASIC PARAMETERS

Parameter	Value
KV Value	800
Configuration (Slots/Poles)	12N14P
Shaft Diameter	3 mm
Silicone Wire	28#
Motor Weight (including cable)	50 g

Parameter	Value
Phase Terminal Resistance (including cable)	209 mΩ
Working Voltage	6S
No-Load Current (10V)	0.4 A
Maximum Power	561.8 W
Maximum Current	23.03 A

## **PERFORMANCE TEST DATA (6S VOLTAGE)**

### **Propeller: 11-inch Folding Propeller**

Throttle (%)	Voltage (V)	Current (A)	Speed (RPM)	Thrust (gf)	Power (W)	Efficiency (gf/W)
10	25.26	0.07	1159	27.78	1.8	15.71
20	25.25	0.53	2782	179.68	13.4	13.38
30	25.21	1.65	4167	409.61	41.6	9.85
40	25.16	3.54	5353	678.85	89.0	7.63
50	25.06	6.31	6368	962.81	158.1	6.09
60	24.95	9.67	7188	1228.22	241.3	5.09
70	24.81	13.36	7826	1458.95	331.5	4.40
80	24.67	17.23	8267	1629.05	425.2	3.83
90	24.51	21.13	8553	1741.04	517.9	3.36
100	24.40	23.03	8562	1742.57	561.8	3.10

\* Technical specifications are based on manufacturer's lab environment testing. Actual performance may vary.